

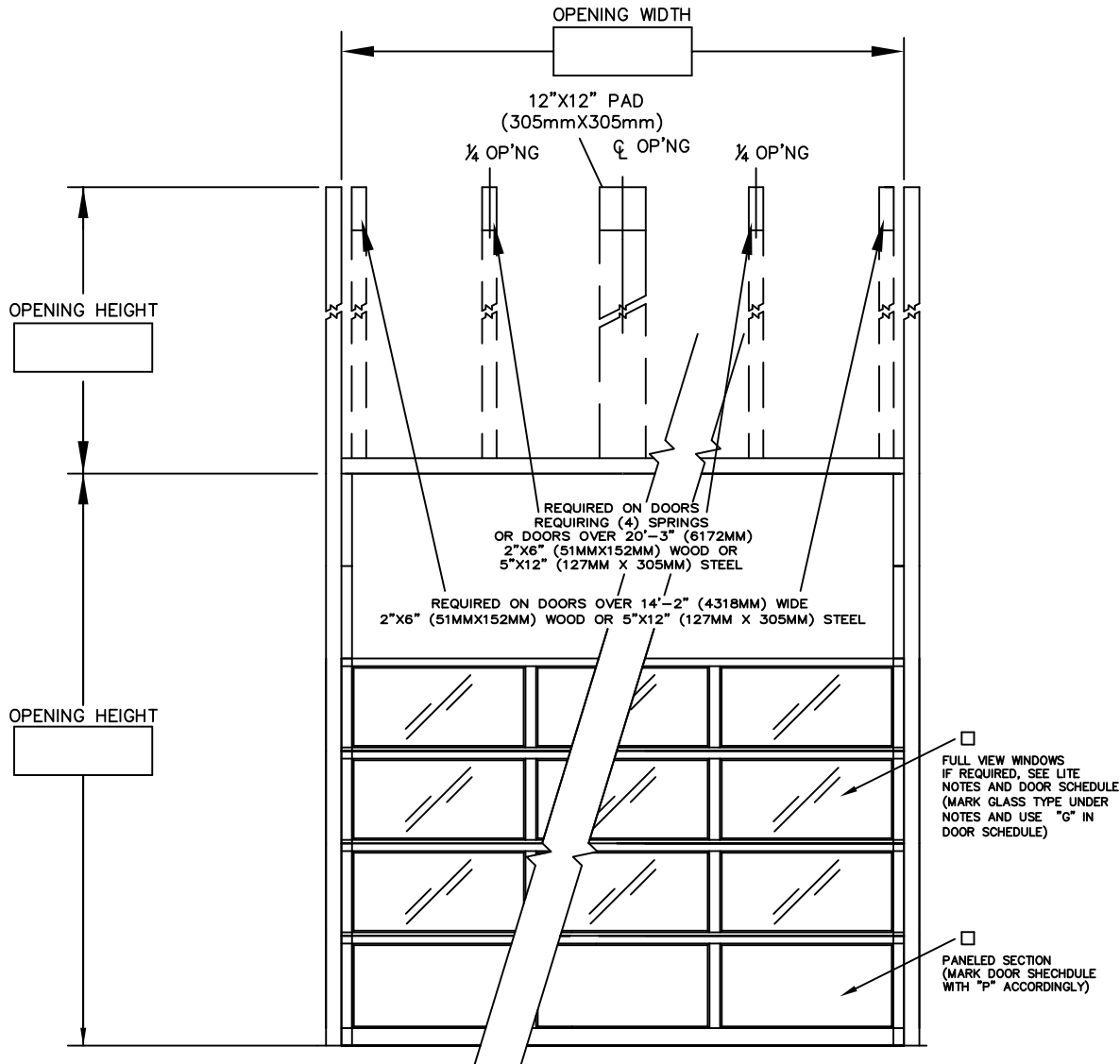
DOOR NUMBER	QTY	OPENING		ACTUAL		MODEL	JAMB			MOUNTING		LOCK	PANELS WIDE	PANELS HIGH	SECTION NUMBER OPEN FOR GLASS																						
		WIDTH	HEIGHT	WIDTH	HEIGHT		W	S	M	ANGLE	BRKT				1	2	3	4	5	6	7	8															

JOB: \_\_\_\_\_  
DISTR: \_\_\_\_\_  
CONTR: \_\_\_\_\_  
ARCH: \_\_\_\_\_



NR:2902467

# AV300

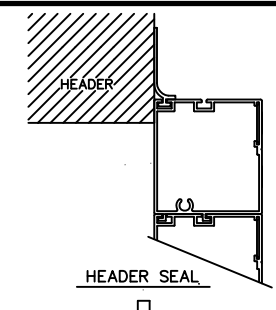


INTERIOR ELEVATION

1) Doors shall be aluminum sectional overhead type Raynor series AV300 as manufactured by Raynor Garage Door Co. Sections shall be 3"(76.2mm) thick 6063T6 aluminum alloy frame with .050" (1.3mm) thick aluminum panels. Stiles and rails to be joined together with 5/16" (7.9mm) dia. screws. Panels and glass to be held in place with dual durometer snap-in. top rails to be 3-3/8" (85.7mm) , bottom rails to be 6-7/16" (163.5mm). Combined dimension of the two intermediate rails to be 5" (127mm). End stiles shaf be 3-3/8" (85.7mm). Center stiles to be 2-5/8" (66.7mm). Bottom rail of door to have vinyl weatherstrip to seal door to floor. Extrusions and panels to be etched and clear anodized to meet spec 204r1. Doors with full glass, up to 24'-2" (7366mm) wide, available with special anodized finishes or armorbrite colors.

- GLASS (CLEAR) \_\_\_\_\_ (DSB 3/16"(4.8MM) OR DSB 1/4" (6.4MM))
- GLASS (WIRE) \_\_\_\_\_ (DSB 3/16"(4.8MM) OR DSB 1/4" (6.4MM))
- GLASS (TEMPERED) \_\_\_\_\_ (1/8"(3.2MM), 3/16"(4.8MM) OR 1/4" (6.4MM))
- PLEXIGLASS \_\_\_\_\_ (1/8"(3.2MM) OR 1/4" (6.4MM))
- LEXAN \_\_\_\_\_ (1/8"(3.2MM) OR 1/4" (6.4MM))

- LOCKING - CREMONE TYPE BOLT ENGAGES SLOT IN TRACK, \_\_\_\_\_ HAND SIDE. FIVE PIN TUMBLER CYLINDER OUTSIDE - NIGHT LATCH INSIDE.
  - LOCKING - SPRING LOADED SLIDE BOLT ENGAGES SLOT IN TRACK. OPERABLE FROM INSIDE ONLY - MAY BE MOUNTED EITHER SIDE
  - LOCKING - OMIT LOCK.
- LOCKS SHOULD NOT BE SUPPLIED WITH AN ELECTRIC OPERATED DOOR WITHOUT A LOCK INTERLOCK SWITCH.



HEADER SEAL

DOOR NUMBER	QTY	OPENING		ACTUAL		MODEL	JAMB				LOCK	PANELS WIDE	PANELS HIGH	SECTION NUMBER OPEN FOR GLASS												
		WIDTH	HEIGHT	WIDTH	HEIGHT		W	S	M	ANGLE				BRKT	1	2	3	4	5	6	7	8				

JOB:

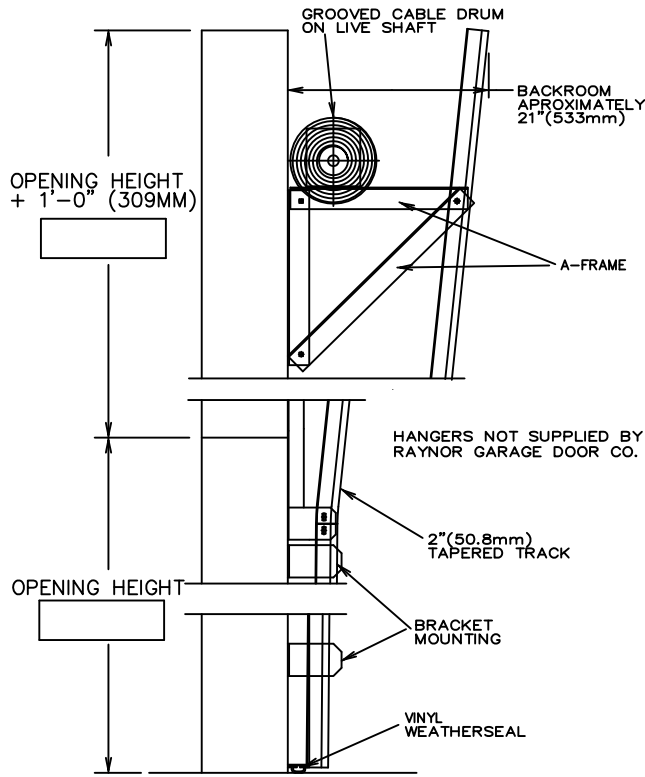
DISTR:

CONTR:

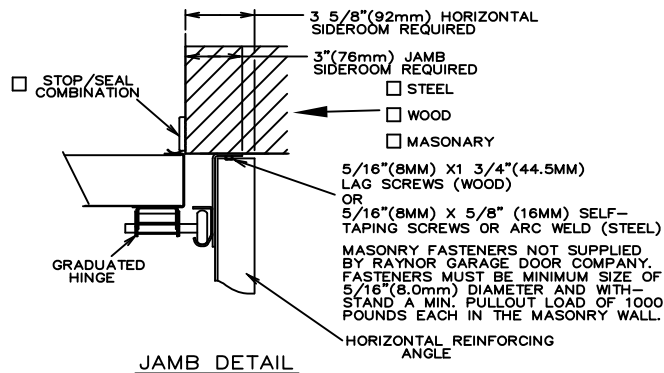
ARCH:



NR: 2902467



SECTION THRU OPENING



JAMB DETAIL

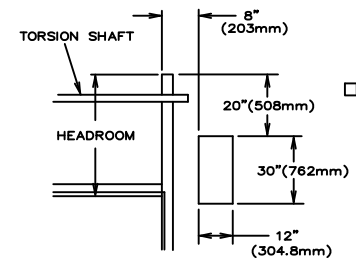
TRACKS- 2" (50.8mm) HOT-DIPPED GALVANIZED TRACK, PER ASTM A-653, TO BE BRACKET MOUNTED AND FULLY ADJUSTABLE FOR SEALING DOOR TO JAMB. HORIZONTAL TRACK TO BE ADEQUATELY REINFORCED WITH CONTINUOUS ANGLE.

HARDWARE- HINGES AND BRACKETS MADE FROM GALVANIZED STEEL. TRACK ROLLERS SHALL HAVE TEN 1/4" (6.4mm) DIAMETER HARDENED STEEL BALLS PER ROLLER.

SPRING COUNTERBALANCE- HEAVY DUTY OIL-TEMPERED WIRE TORSION SPRINGS ON A CONTINUOUS BALL BEARING CROSS-HEADER SHAFT. GALVANIZED AIRCRAFT TYPE LIFTING CABLES WITH MIN. SAFETY FACTOR OF 5 TO 1.

ANSI/UL325 REQUIRES THE MOTOR OPERATOR BE MOUNTED A MINIMUM OF 8' ABOVE THE FLOOR OR GUARDING OF THE MOTOR OPERATOR TO PREVENT INJURY.(GUARDS BY OTHERS).

- RAYNOR POWERHOIST BASIC (PHBJR) 1/2 H.P., 115 VOLT, SINGLE PHASE
- RAYNOR POWERHOIST BASIC (PHBHR) 1/2 H.P., 115 VOLT, SINGLE PHASE
- RAYNOR POWERHOIST BASIC (PHBJ) 1/2 H.P., 115 VOLT, SINGLE PHASE
- RAYNOR POWERHOIST BASIC (PHBJH) 1/2 H.P., 115 VOLT, SINGLE PHASE
- RAYNOR POWERHOIST STANDARD (RBJ) \_\_\_ H.P., \_\_\_ VOLT, \_\_\_ PHASE
- RAYNOR POWERHOIST STANDARD (RBJH) \_\_\_ H.P., \_\_\_ VOLT, \_\_\_ PHASE
- RAYNOR POWERHOIST OPTIMA (RGJH) \_\_\_ H.P., \_\_\_ VOLT, \_\_\_ PHASE
- WIRING TYPE-SR2 WIRING, MOMENTARY CONTACT OPEN/CLOSE/STOP. SAFETY EDGE TO REVERSE.
- WIRING TYPE-SPECIAL (NOT AVAILABLE WITH PHBT OPERATORS) SPECIFY SPECIAL WIRING TYPE \_\_\_\_\_
- PNEUMATIC SAFETY EDGE TO REVERSE  COIL CORD OR
- ELECTRIC SAFETY EDGE TO REVERSE  CABLE TAKE UP REEL
- THRU-BEAM PHOTO EYES



JACKSHAFT MOUNTING DETAIL  
POSITION # \_\_\_\_\_ REQUIRED  
(TYPICAL DIMENSIONS)

RAYNOR DOES NOT RECOMMEND THE USE OF A JACKSHAFT OPERATOR ON DOORS WITH LESS THAN OR EQUAL TO 30"(762MM) OF HEADROOM. RAYNOR RECOMMENDS THE USE OF A TROLLEY TYPE OPERATOR IN THESE SITUATIONS.