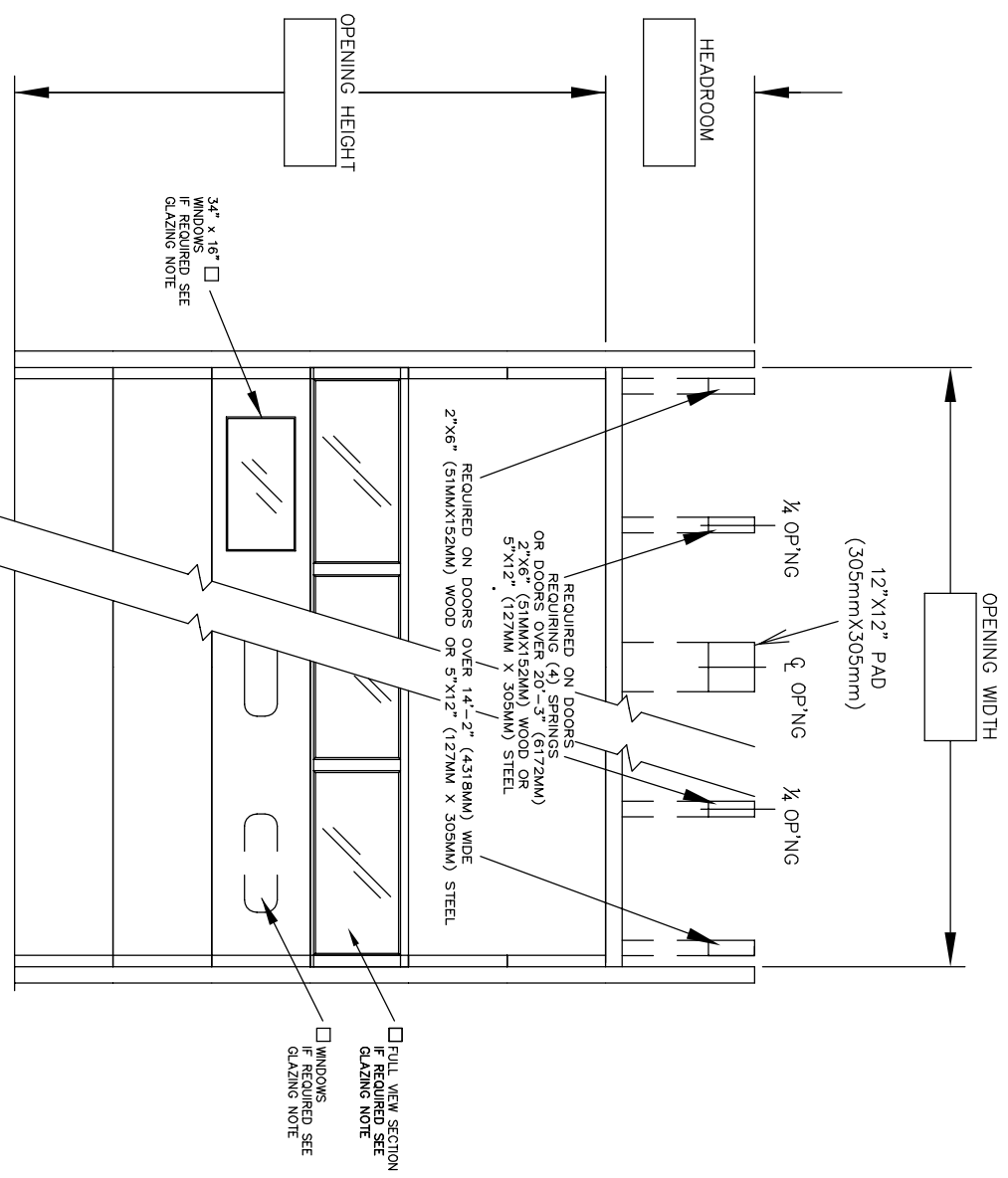


| DOOR NUMBER | QTY | OPENING | | ACTUAL | | MODEL | JAMB MOUNTING | | LOOK | PANELS | | SECTION NUMBER OPEN FOR GLASS | | | | | | | | | | | | | | | | | | | | | | | | | | | | | | |
|-------------|-----|---------|--------|--------|--------|-------|---------------|---|------|--------|-------|-------------------------------|------|------|---|---|---|---|---|---|---|---|--|--|--|--|--|--|--|--|--|--|--|--|--|--|--|--|--|--|--|--|
| | | WIDTH | HEIGHT | WIDTH | HEIGHT | | W | S | | M | ANGLE | BKRT | WIDE | HIGH | 1 | 2 | 3 | 4 | 5 | 6 | 7 | 8 | | | | | | | | | | | | | | | | | | | | |
| | | | | | | | | | | | | | | | | | | | | | | | | | | | | | | | | | | | | | | | | | | |

| | |
|--------|-------------|
| JOB: | |
| DISTR: | |
| CONTR: | |
| ARCH: | |
| | NR: 2904076 |

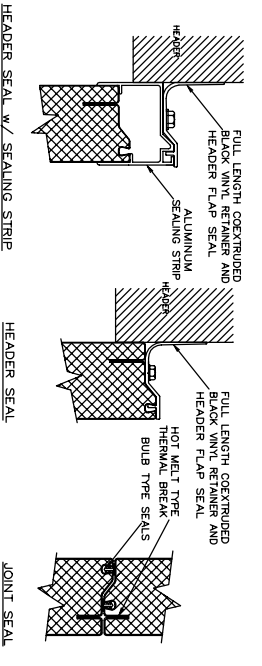
THERMASEAL STANDARD



INTERIOR ELEVATION

- 1) DOORS SHALL BE THERMASEAL SECTIONAL OVERHEAD TYPE RAYNOR SERIES STANDARD, AS MANUFACTURED BY RAYNOR GARAGE DOOR CO.. SECTIONS SHALL BE 1 3/4" (44.5mm) THICK, ROLL-FORMED FROM COMMERCIAL QUALITY HOT DIPPED GALVANIZED STEEL PER ASTM-924 AND A-653. DOOR SECTIONS CONSTRUCTED OF 25 GAUGE EXTERIOR AND 26 GAUGE INTERIOR. STUCCO-EMBEDDED BEAD EXTENDED HOT MELT SEAL BOUFD AN EFFECTIVE THERMAL CORE OF EXTERIOR AND INTERIOR SKINS TO BE SEPERATED BREAK JOINT SEALS ARE USED TO COMPLETE A WEATHER-TITE SEAL. SECTIONS TO HAVE CONTINUOUS 20 GA. HARDWARE STRIPS. WHEN TESTED IN ACCORDANCE WITH ASTM C-518, THERMASEAL HAS THE FOLLOWING ENERGY VALUES: R-VALUE = 16.4 AND U-VALUE = .061 TO BE USED FOR R/INTERIOR OF DOOR SKINS PRE-COATED PRIOR TO ROLLFORMING WITH A TWO COAT PROCESS OF BAKED ON POLYESTER FINISH OVER EPOXY PRIMER. (WHITE OR DARK KYNAR BROWN) EXTERIOR AND WHITE INTERIOR.

- FULL VIEW SECTIONS - SECTIONS SHALL BE MADE FROM 6063T5 EXTRUDED ALUMINUM STILE AND RAIL CONSTRUCTION GLASS ENCASED AND HELD IN PLACE WITH SELF-ALIGNING RIGID VINYL GLAZING RETAINER.
- FINISH-TO MACTH DOOR SECTIONS.
- GLAZING (AS SHOWN) - 2 1/4" (61.0MM)X8" (203MM)X ----- (1/8", 3/16", 1/4", 5/8") RUBBER BY RAYNOR
- GLAZING (AS SHOWN) - 3/4" (66.36MM)X16" (406.4MM)X 1" INSULATED DSB GLASS
- LOCKING - CREMONE TYPE BOLT ENGAGES SLOT IN TRACK, ----- HAND SIDE. FIVE PIN TUMBLER CYLINDER OUTSIDE -- NIGHT LATCH INSIDE.
- LOCKING - SPRING LOADED SLIDE BOLT ENGAGES SLOT IN TRACK. OPERABLE FROM INSIDE ONLY -- MAY BE MOUNTED EITHER SIDE
- LOCKING - OMIT LOCK.
- LOCKS SHOULD NOT BE SUPPLIED WITH AN ELECTRIC OPERATED DOOR WITHOUT A LOCK INTERLOCK SWITCH.



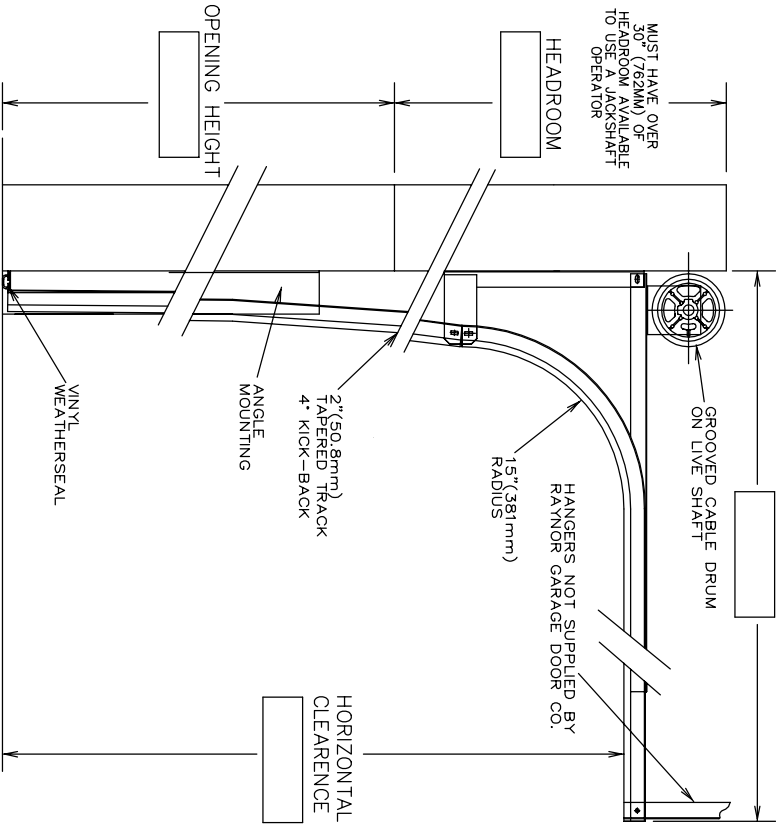
HEADER SEAL w/ SEALING STRIP HEADER SEAL JOINT SEAL

| DOOR NUMBER | QTY | OPENING | | ACTUAL | | MODEL | JAMB MOUNTING | | LOCK | PANELS WIDE | | SECTION NUMBER OPEN FOR GLASS | | | | | | | |
|-------------|-----|---------|--------|--------|--------|-------|---------------|---|------|-------------|---|-------------------------------|---|---|---|---|---|--|--|
| | | WIDTH | HEIGHT | WIDTH | HEIGHT | | W | M | | 1 | 2 | 3 | 4 | 5 | 6 | 7 | 8 | | |
| | | | | | | | | | | | | | | | | | | | |

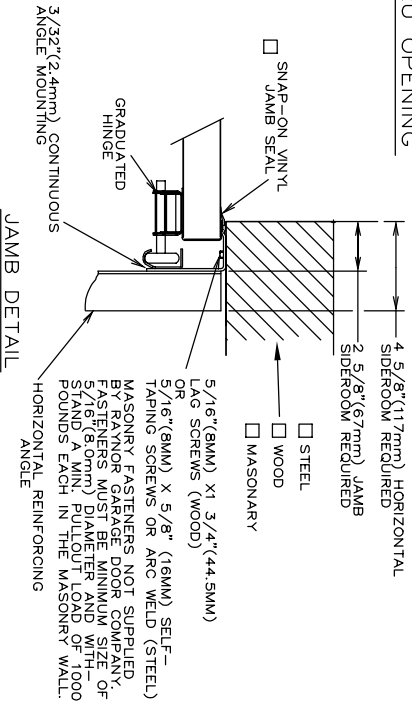
JOB: _____
 CONTR: _____
 ARCH: _____
 NR: 2904076



OPENING HEIGHT - HEADROOM + 5'-0" (1524MM)



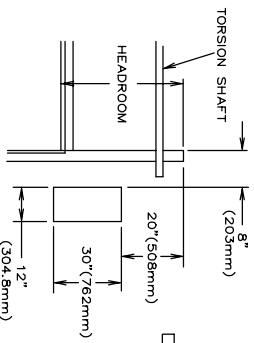
SECTION THRU OPENING



TRACKS - 2" (50.8mm) HOT-DIPPED GALVANIZED TRACK, PER ASTM A-653, TO BE ANGLE MOUNTED AND FULLY ADJUSTABLE FOR SEALING DOOR TO BEAD ON HORIZONTAL TRACK TO BE ADEQUATELY REINFORCED WITH CONTINUOUS ANGLE.
 HARDWARE - HINGES AND BRACKETS MADE FROM GALVANIZED STEEL. TRACK ROLLERS SHALL HAVE TEN 1/4" (6.4mm) DIAMETER HARDENED STEEL BALLS PER ROLLER.
 SPRING COUNTERBALANCE - HEAVY DUTY OIL-TEMPERED WIRE TORSION SPRINGS ON A CONTINUOUS BALL BEARING CROSS-HEADER SHAFT GALVANIZED AIRCRAFT TYPE LIFTING CABLES WITH MIN. SAFETY FACTOR OF 5 TO 1.

ANSI/UL325 REQUIRES THE MOTOR OPERATOR BE MOUNTED A MINIMUM OF 8' ABOVE THE FLOOR OR GUARDING OF THE MOTOR OPERATOR TO PREVENT INJURY. (GUARDS BY OTHERS).

- RAYNOR POWERHOIST BASIC (PHBR) 1/2 H.P., 115 VOLT, SINGLE PHASE
- RAYNOR POWERHOIST BASIC (PHBR) 1/2 H.P., 115 VOLT, SINGLE PHASE
- RAYNOR POWERHOIST BASIC (PHBU) 1/2 H.P., 115 VOLT, SINGLE PHASE
- RAYNOR POWERHOIST BASIC (PHBU) 1/2 H.P., 115 VOLT, SINGLE PHASE
- RAYNOR POWERHOIST STANDARD (RBU) ___ H.P., ___ VOLT, ___ PHASE
- RAYNOR POWERHOIST STANDARD (RBUH) ___ H.P., ___ VOLT, ___ PHASE
- RAYNOR POWERHOIST OPTIMA (RGH) ___ H.P., ___ VOLT, ___ PHASE
- WIRING TYPE-SR2 WIRING, MOMENTARY CONTACT OPEN/CLOSE/STOP, SAFETY EDGE TO REVERSE.
- WIRING TYPE-SPECIAL (NOT AVAILABLE WITH PHBT OPERATORS)
- SPECIFY SPECIAL WIRING TYPE _____
- PNEUMATIC SAFETY EDGE TO REVERSE COIL CORD
- ELECTRIC SAFETY EDGE TO REVERSE CABLE TAKE UP REEL
- THRU-BEAM PHOTO EYES



JACKSHAFT MOUNTING DETAIL
 POSITION # _____ REQUIRED
 (TYPICAL DIMENSIONS)

RAYNOR DOES NOT RECOMMEND THE USE OF A JACKSHAFT OPERATOR ON DOORS WITH LESS THAN OR EQUAL TO 30" (762MM) OF HEADROOM. RAYNOR RECOMMENDS THE USE OF A TROLLEY TYPE OPERATOR IN THESE SITUATIONS.